



SH-2500-UNI-B
TURBO

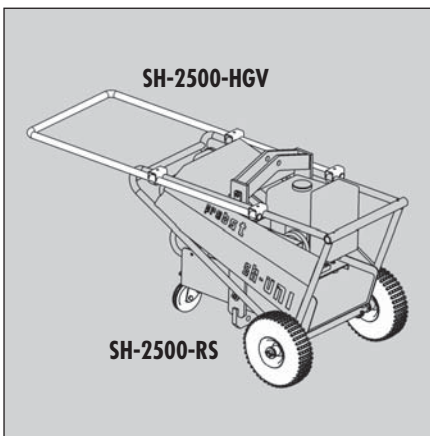
Vacuum Lifting Device SH-2500-UNI-B-TURBO:

This type was specially designed for picking up porous elements. The device is equipped with an extremely powerful vacuum pump.

Otherwise equipped as SH-2500-UNI-B, but with more powerful engine and vacuum pump.

Type	Power	Working Load Limit WLL kg (lbs)	Dead Weight (without suction plate) kg (lbs)	Order-Number
SH-2500-UNI-B-TURBO	petrol engine 4,0 kW	2,500* (5,500)*	110 (242)	5240.0042

Suction plates and additional beneficial attachments see type list page 5.19



SH-2500-HGV

SH-2500-RS

Accessories for SH-2500

Wheelset SH-2500-RS

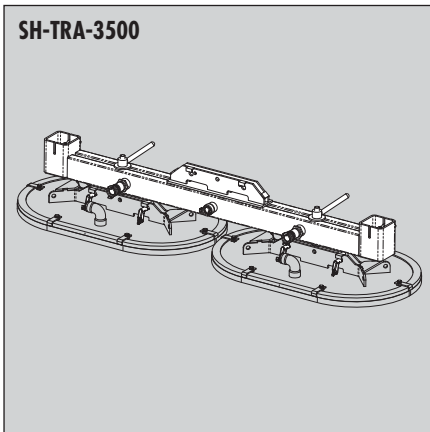
To extend the working radius of Micro Jumbo MJ at any time, we recommend the solid set of wheels for later equipment. Easy mounting to the lifting unit SH-2500-UNI. The wheelset consists of two attachable main wheels, diameter 300 mm, one foldable support-wheel and one swivelling wheel. Later attachment to the basic device SH is no problem.

sists of two attachable main wheels, diameter 300 mm, one foldable support-wheel and one swivelling wheel. Later attachment to the basic device SH is no problem.

Handle Extension SH-2500-HGV

Should be used when laying elements wider than 1 meter, in order to keep operators feet in safe distance from load.

▶ Handle Extension SH-2500-HGV can be fitted at any time later to the structure of SH-2500-UNI by bolting it on with brackets.



SH-TRA-3500

SH-TRA-3500 Spreader Bar

Type	Description	Order-Number
SH-2500-RS ^①	Wheelset for all models SH-2500-UNI	4250.0071
SH-2500-HGV	Handle extension for all models SH-2500-UNI	4240.0088
SH-TRA-3500 Spreader Bar	For multiple use of the suction plates single plates adjustable. Suction plate turnable by 90°. Distance between centres of suction plates adjustable from max. 1,450 mm to min. 560 mm. Working load limit 3,500 kg	4250.0260

Further range of uses in conjunction with the MICROJUMBO MJ (see page 5.5) – especially suitable for laying lighter slabs (such as those for patios) by hand.

* Value at 600 mbar low pressure

① Durable surface protection by galvanizing